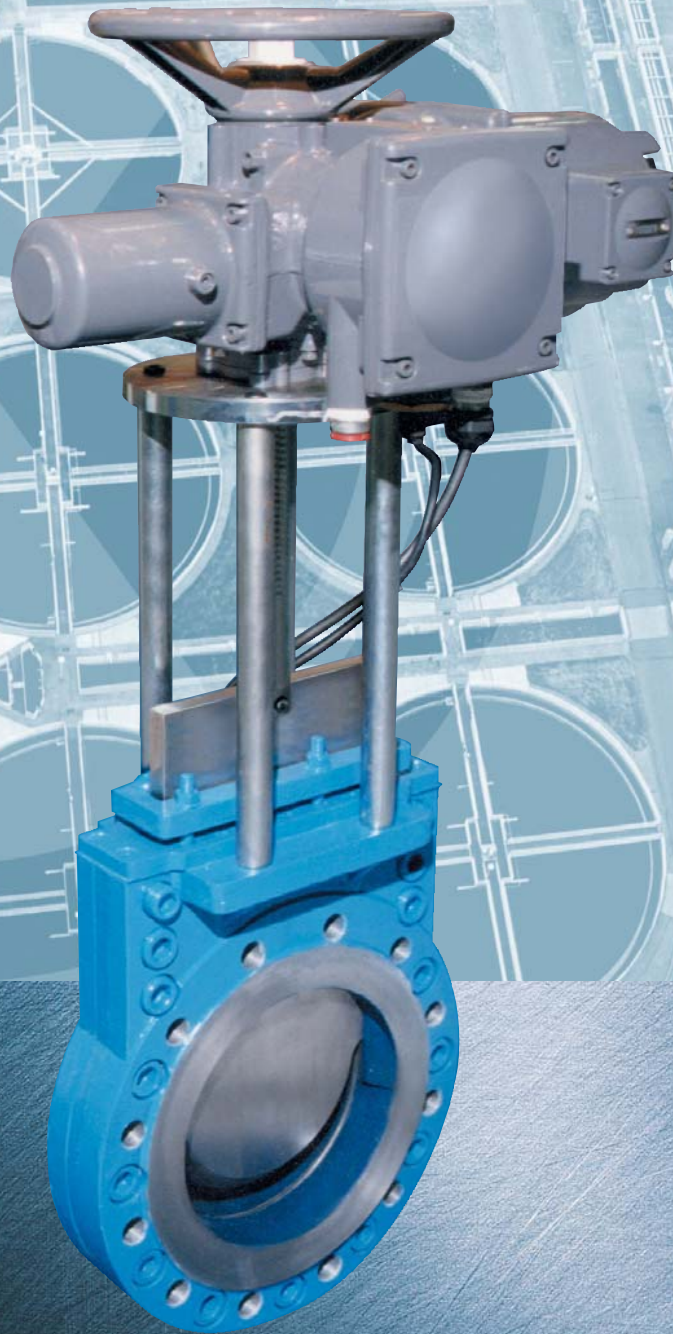




**KEMPSTER  
ENGINEERING**  
KNIFE GATE VALVES

## Electrical Actuation



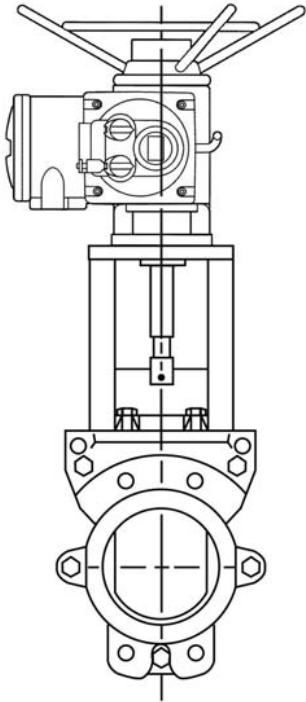
**Remote Control  
Water & Sewage  
All Processes**



2002/262



### Electrical Actuation



The virtually constant thrust demand of Knife Gate Valves makes them ideal for electric actuation, especially for modulation duties. The skilled and experienced manufacturing facility of Aeon Kempster permits simple specialisation of the valves to minimise torque requirements, resulting in cost effective electric actuation. Electric actuators can vary from basic open/close units to full modulation versions which comply with high environmental standards having optional extras to provide feedback signals or battery back up.

#### Open/Close Duty

To prepare a quotation, Aeon Kempster requires full details of the duty and product or medium being handled, in addition to the electrical supply details.

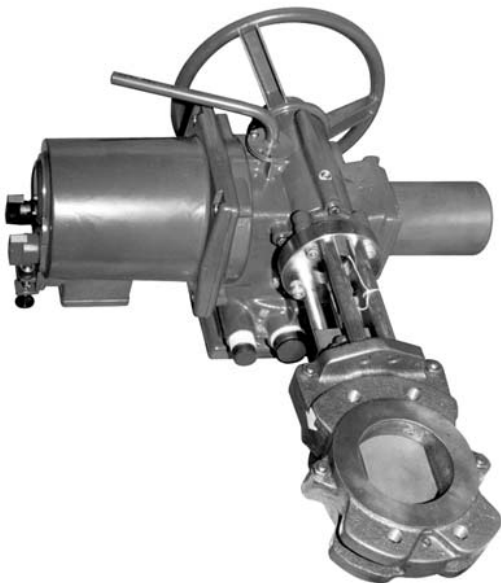
Operational requirements such as the speed to open and close and the frequency of operation are needed to assist with actuator selection.

A simple check list is available to guide you in providing the required technical information.

#### Modulation Duty

Aeon Kempster provides a valve sizing service using your up and down stream pressures at the maximum, normal and minimum flow conditions. Control signals and any accessories, such as position feedback, will also be taken into consideration.

Again, a checklist document is available, please ask for a copy.



The Vee Port KV8 valve provides excellent flow control.

